

PLEASE CHECK WWW.MOLEX.COM FOR LATEST PART INFORMATION

Part Number: **0511631400**
Status: **Active**
Description: 2.50mm (.098") Pitch Wire-to-Board Receptacle Housing, Positive Lock, With Retainer, 14 Circuits

Documents:

3D Model	Product Specification PS-51163-002 (PDF)
Drawing (PDF)	RoHS Certificate of Compliance (PDF)
Product Specification PS-51163-001 (PDF)	

Agency Certification

CSA	LR19980
UL	E29179

General

Product Family	Crimp Housings
Series	51163
Product Name	N/A

Physical

Circuits (maximum)	14
Color - Resin	Natural
Flammability	94V-0
Gender	Female
Glow-Wire Compliant	No
Material - Resin	Polyester
Number of Rows	1
Packaging Type	Bag
Panel Mount	No
Pitch - Mating Interface (in)	0.098 In
Pitch - Mating Interface (mm)	2.50 mm
Stackable	No
Temperature Range - Operating	-40°C to +105°C

Material Info

Reference - Drawing Numbers

Product Specification	PS-51163-001, PS-51163-002, RPS-51103-047, RPS-51103-050, RPS-51163-001, RPS-51163-002, RPS-51163-003
Sales Drawing	SD-51163-**00, SD-51163-001

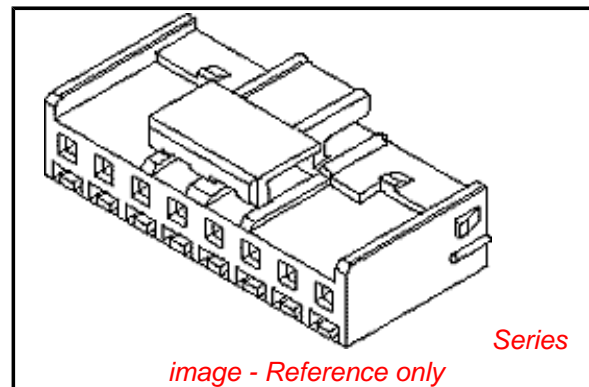


image - Reference only

EU RoHS

ELV and RoHS Compliant
REACH SVHC Contains SVHC: No
Halogen-Free Status
Not Reviewed

China RoHS



Need more information on product environmental compliance?

Email productcompliance@molex.com
 For a multiple part number RoHS Certificate of Compliance, [click here](#)

Please visit the [Contact Us](#) section for any non-product compliance questions.

Search Parts in this Series

[51163Series](#)

Mates With

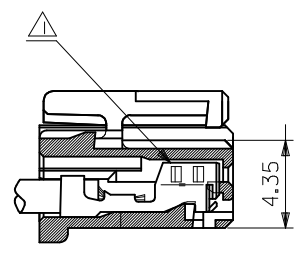
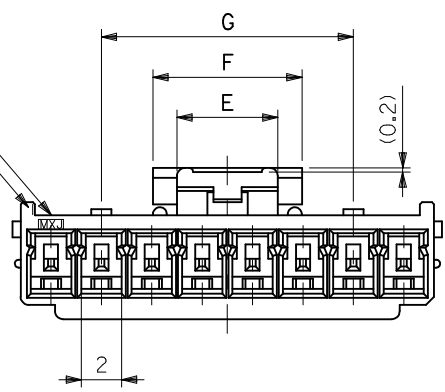
[53375](#) , [53426](#)

Use With

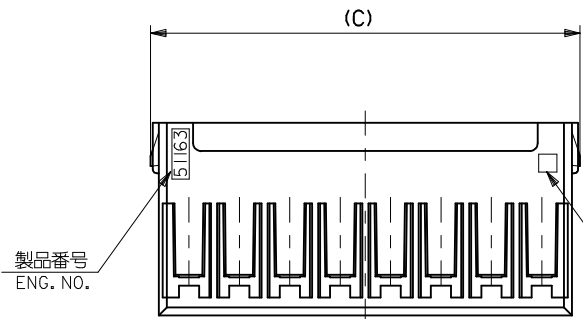
[50351](#) , [50752](#) , [51164](#)

PLEASE CHECK WWW.MOLEX.COM FOR LATEST PART INFORMATION

△
トレードマーク
TRADE MARK
回路番号 1
CIRCUIT NO.1

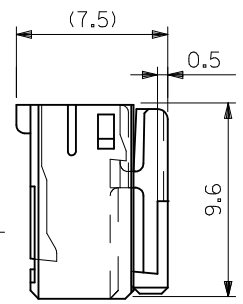


ターミナル装着状態図
TERMINAL ASSEMBLY DRAWING

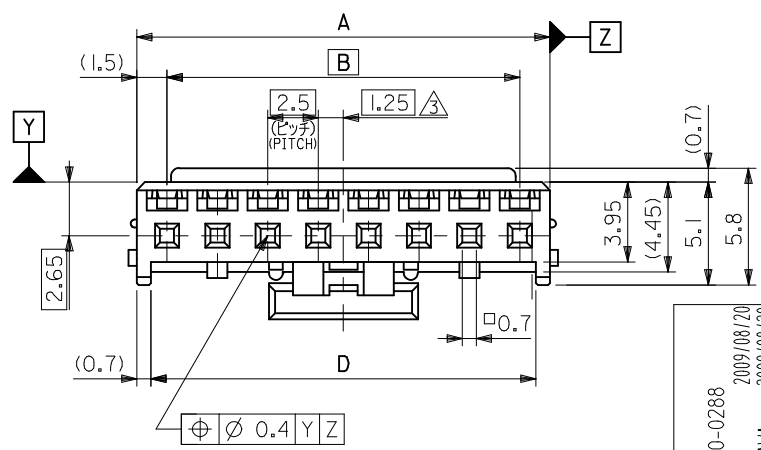


製品番号
ENG. NO.

△
キャビティー番号
及び金型番号
CAVITY NO.
AND MODEL NO.



12.5	7.4	5	36.6	38.8	35	38	51163-158*	15
↑	↑	↑	34.1	36.3	32.5	35.5	↑ -148*	14
			31.6	33.8	30	33	↑ -138*	13
			29.1	31.3	27.5	30.5	↑ -128*	12
			26.6	28.8	25	28	↑ -118*	11
			24.1	26.3	22.5	25.5	↑ -108*	10
↓			21.6	23.8	20	23	↑ -098*	9
12.5			19.1	21.3	17.5	20.5	↑ -088*	8
			16.6	18.8	15	18	↑ -078*	7
			14.1	16.3	12.5	15.5	↑ -068*	6
			11.6	13.8	10	13	↑ -058*	5
	7.4	5	9.1	11.3	7.5	10.5	↑ -048*	4
	5	3	6.6	8.8	5	8	↑ 51163-038*	3
G	F	E	D	(C)	B	A	MATERIAL AND ORDER No. △	CIRCUIT No.



REVISED
EC NO: J2010-0288
DRWN: YG010 2009/08/20
CHKD: KASAKAWA 2009/08/20
APPR: NUKITA 2009/08/24

DESCRIPTION
GENERAL TOLERANCES (UNLESS SPECIFIED)
10 UNDER ±0.2
10 OVER 30 UNDER ±0.25
30 OVER ±0.3
ANGULAR ±3 °
DRAFT WHERE APPLICABLE MUST REMAIN WITHIN DIMENSIONS

DIMENSION STYLE
MM ONLY
DRAWN BY K. HARADA
DATE 1997/10/2
CHECKED BY T. ITO
DATE 1997/11/12
APPROVED BY M. FUKUSHIMA
DATE 1997/11/12
MATERIAL NO.
ENTER PART

SCALE 4:1
DESIGN UNITS METRIC
THIRD ANGLE PROJECTION
TITLE 2.5 W/B CONN HSG (POSITIVE LOCK)
MOLEX MOLEX INCORPORATED
DOCUMENT NO. SD-51163-**-00
SHEET NO. 1 OF 2
THIS DRAWING CONTAINS INFORMATION THAT IS PROPRIETARY TO MOLEX INCORPORATED AND SHOULD NOT BE USED WITHOUT WRITTEN PERMISSION

注記 NOTES

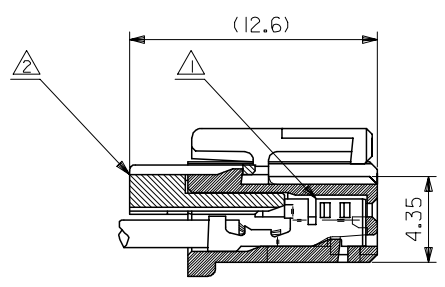
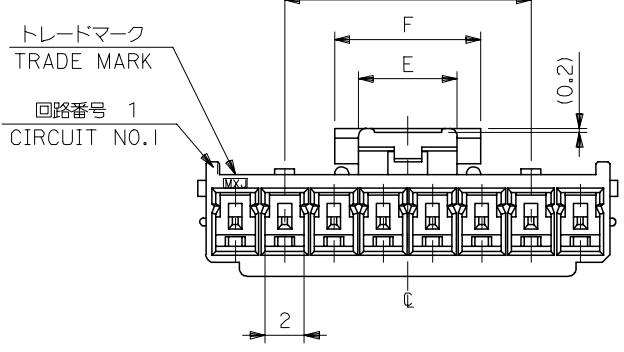
- △1 適合ターミナル：5035I-8*00
APPLICABLE TERMINAL : 5035I-8*00
- 2. 嵌合相手：53375,53426 シリーズ
MATE WITH : 53375,53426 SERIES
- △3 偶数極の製品に適用。
APPLY EVEN CIRCUIT PRODUCTS.
- △4 トレードマーク：Mプラス 1 ~ 2 文字のアルファベットにて構成。(例 MXJ)
但し "J" は JAPAN を示す。
FORMED BY M AND 1 ~ 2 MORE LETTER OF ALPHABET (e.g. MXJ)
(TO TRADE MARK), BUT "J" SHOW JAPAN.
- △5 キャビティー番号：1桁~2桁の数字
金型番号：アルファベット1文字にて構成。(例, 1A, 10B)
FORMED BY 1 DIGIT TO 2 DIGIT NUMBERS (TO CAVITY
NO.) AND BY 1 LETTER OF ALPHABET (TO MOLD NO.).
(e.g. 1A, 10B)
- △6 MATERIAL AND ORDER No.
51163-**00
極数
CIRCUIT SIZE
- 7. 材料:PBT, UL 94V-0
- 8. 色:白 WHITE (NATURAL)



REVISED
EC NO:
DRWN:YGOTO
CHKD:KASAKAWA
APPR:
C
2009/08/20

DESCRIPTION	GENERAL TOLERANCES (UNLESS SPECIFIED)		DIMENSION STYLE MM ONLY	SCALE 4:1	DESIGN UNITS METRIC	THIRD ANGLE PROJECTION
	10 UNDER	±0.2	DRAWN BY K. HARADA	DATE 1997/10/2	TITLE 2.5 W/B CONN HSG (POSITIVE LOCK)	
	10 OVER 30 UNDER	±0.25	CHECKED BY T. ITO	DATE 1997/11/12		
	30 OVER	±0.3	APPROVED BY M. FUKUSHIMA	DATE 1997/11/12	MOLEX INCORPORATED	
ANGULAR ±3 °	DRAFT WHERE APPLICABLE MUST REMAIN WITHIN DIMENSIONS	ENTER PART		MATERIAL NO.	DOCUMENT NO.	SHEET NO.
SIZE A3		THIS DRAWING CONTAINS INFORMATION THAT IS PROPRIETARY TO MOLEX INCORPORATED AND SHOULD NOT BE USED WITHOUT WRITTEN PERMISSION				

10 9 8 7 6 5 4 3 2 1

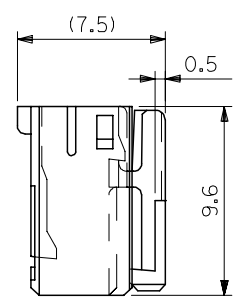
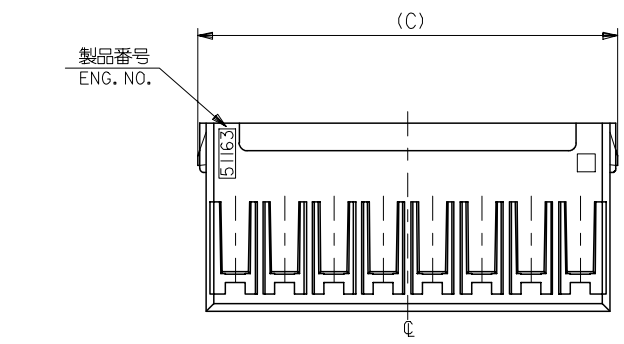


ターミナル及びリテーナー装着状態図
TERMINAL AND RETAINER ASSEMBLY DRAWING

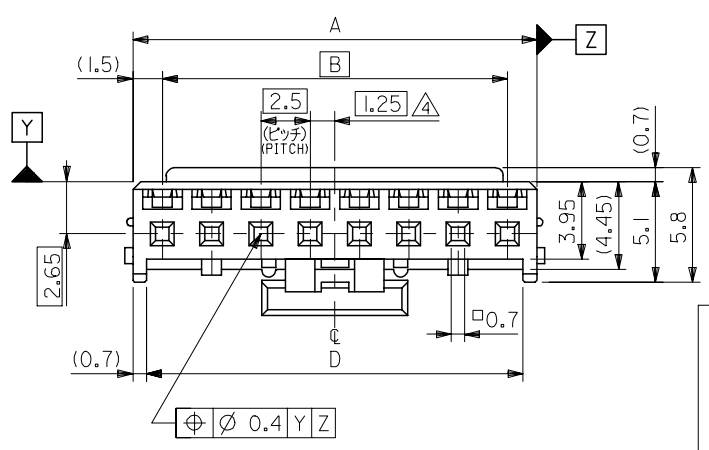
注記 NOTES

- △ 適合ターミナル：50752-8*00
APPLICABLE TERMINAL：50752-8*00
- △ 適合リテーナー：51164-**05
APPLICABLE RETAINER：51164-**05
- 3. 嵌合相手：53375,53376,53388,53389,53426 シリーズ
MATE WITH：53375,53376,53388,53389,53426 SERIES
- △ 偶数極の製品に適用。
APPLY EVEN CIRCUIT PRODUCTS.

3-15 極に適用
FOR 3-15 CKTS.



						青 BLUE	赤 RED	黒 BLACK	白 NATURAL	COLOR	
12.5	7.4	5	36.6	38.8	35	38	51163-1504	51163-1502	51163-1501	51163-1500	15
12.5			34.1	36.3	32.5	35.5	-1404	-1402	-1401	-1400	14
12.5			31.6	33.8	30	33	-1304	-1302	-1301	-1300	13
12.5			29.1	31.3	27.5	30.5	-1204	-1202	-1201	-1200	12
12.5			26.6	28.8	25	28	-1104	-1102	-1101	-1100	11
12.5			24.1	26.3	22.5	25.5	-1004	-1002	-1001	-1000	10
12.5			21.6	23.8	20	23	-0904	-0902	-0901	-0900	9
12.5			19.1	21.3	17.5	20.5	-0804	-0802	-0801	-0800	8
			16.6	18.8	15	18	-0704	-0702	-0701	-0700	7
			14.1	16.3	12.5	15.5	-0604	-0602	-0601	-0600	6
			11.6	13.8	10	13	-0504	-0502	-0501	-0500	5
			9.1	11.3	7.5	10.5	-0404	-0402	-0401	-0400	4
			6.6	8.8	5	8	51163-0304	51163-0302	51163-0301	51163-0300	3
G	F	E	D	(C)	B	A	MATERIAL NO.	MATERIAL NO.	MATERIAL NO.	MATERIAL NO.	NO. OF CKT

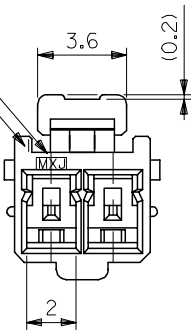


MATERIAL
PBTP, UL94V-0
SEE CHART

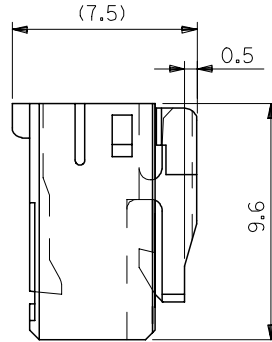
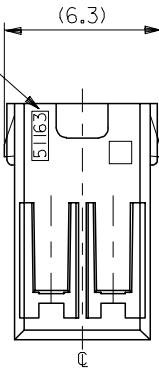
REVISED EC NO: J2005-1394 DRAWN: SASAMOR CHKD: K. TOJO APPR: NUKITA	GENERAL TOLERANCES (UNLESS SPECIFIED)		DIMENSION STYLE MM ONLY		SCALE 4:1	DESIGN UNITS METRIC	THIRD ANGLE PROJECTION		
	10 UNDER ±0.2	10 OVER 30 UNDER ±0.25	30 OVER ±0.3	DRAWN BY J. SASAMO	DATE 2004/8/31	TITLE 2.5 WIRE TO BOARD CONN. HOUSING (POSITIVE LOCK) WITH RETAINER			
	ANGULAR ±3 °			CHECKED BY K. TOJO	DATE 2004/8/31	MOLEX INCORPORATED			
	DRAFT WHERE APPLICABLE MUST REMAIN WITHIN DIMENSIONS			APPROVED BY N. UKITA	DATE 2004/8/31	MATERIAL NO. 51163-***0*	DOCUMENT NO. SD-51163-001	SHEET NO. 1 OF 2	
THIS DRAWING CONTAINS INFORMATION THAT IS PROPRIETARY TO MOLEX INCORPORATED AND SHOULD NOT BE USED WITHOUT WRITTEN PERMISSION									

10 9 8 7 6 5 4 3 2 1

トレードマーク
TRADE MARK
回路番号 1
CIRCUIT NO.1

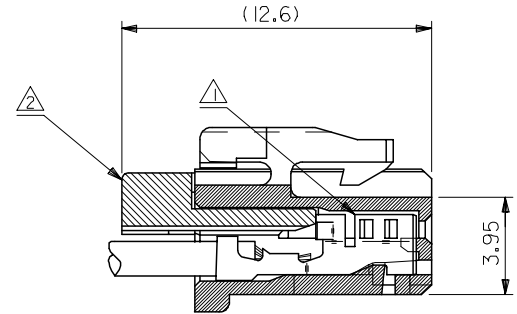


製品番号
ENG. NO.

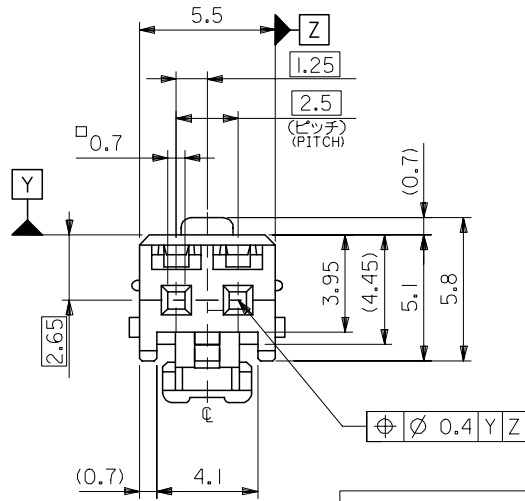


注記 NOTES

- △ 適合ターミナル : 50752-8*00
APPLICABLE TERMINAL : 50752-8*00
- △ 適合リテーナー : 51164-***05
APPLICABLE RETAINER : 51164-***05
- 3. 嵌合相手 : 53375,53426 シリーズ
MATE WITH : 53375,53426 SERIES



ターミナル及びリテーナー装着状態図
TERMINAL AND RETAINER ASSEMBLY DRAWING



MATERIAL
PBTP, UL94V-0
SEE CHART

2 極に適用
FOR 2 CKTS.

青	BLUE	51163-0204	2
赤	RED	51163-0202	
黒	BLACK	51163-0201	
白	NATURAL	51163-0200	
COLOR MATERIAL NO.		MATERIAL NO.	NO. OF CKT.

REVISED EC NO: J2005-1394 DRWN: SASAMOR 2004/11/09 CHKDK: TOJO 2004/11/10 APPR: NUKITA 2004/11/18 DESCRIPTION REV	GENERAL TOLERANCES (UNLESS SPECIFIED)		DIMENSION STYLE MM ONLY		SCALE 5:1	DESIGN UNITS METRIC	THIRD ANGLE PROJECTION	
	10 UNDER	±0.2	DRAWN BY J. SASAMO		DATE 2004/8/31		TITLE 2.5 WIRE TO BORAD CONN. HOUSING (POSITIVE LOCK) WITH RETAINER	
	10 OVER 30 UNDER	±0.25	CHECKED BY K. TOJO		DATE 2004/8/31		MOLEX MOLEX INCORPORATED	
	30 OVER	±0.3	APPROVED BY N. UKITA		DATE 2004/8/31		DOCUMENT NO. SD-51163-001	
	ANGULAR ±3 °	DRAFT WHERE APPLICABLE MUST REMAIN WITHIN DIMENSIONS		MATERIAL NO. 51163-***0*		SHEET NO. 2 OF 2		THIS DRAWING CONTAINS INFORMATION THAT IS PROPRIETARY TO MOLEX INCORPORATED AND SHOULD NOT BE USED WITHOUT WRITTEN PERMISSION